



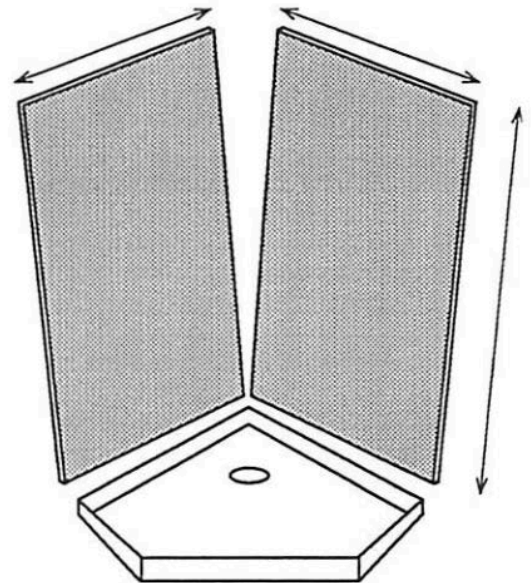
Neo Angle Shower Base Installation Guide

To ensure proper installation, a reasonably level floor is required. Check floor for level before beginning installation. Any unusual problems (out of level) should be pointed out to the builder or home owner prior to beginning installation.

NEO ANGLE SHOWER BASE INTALLATION

The simplest to install, because there are only two sides against the wall.

1. The shower base is meant to be installed with the water dam in contact with the studs or framing. So install pre drywall or cut drywall to accept shower base.
2. Measure off from wall where drain should go, cut hole in floor to accept drain.
3. Lay shower base in place and check level at top of shower base. Place shims to achieve level, nail shims to floor, remove base and mix mortar and sand, put enough mix on floor to level base and wiggle shower base around until its down to the shims. Base should be supported evenly and not wiggle when you step in it.
4. When the mortar is dry remove shims.



RECTANGULAR SHOWER BASES SHOULD BE INSTALLED PRE-DRYWALL

1. Installation is basically the same as Neo but now there are three walls around it. Check measurement of opening, cut hole in floor for drain. It's easiest to install in new construction.

