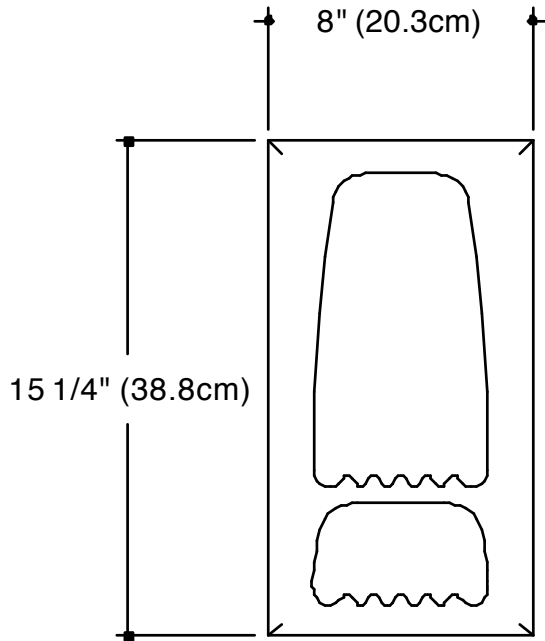




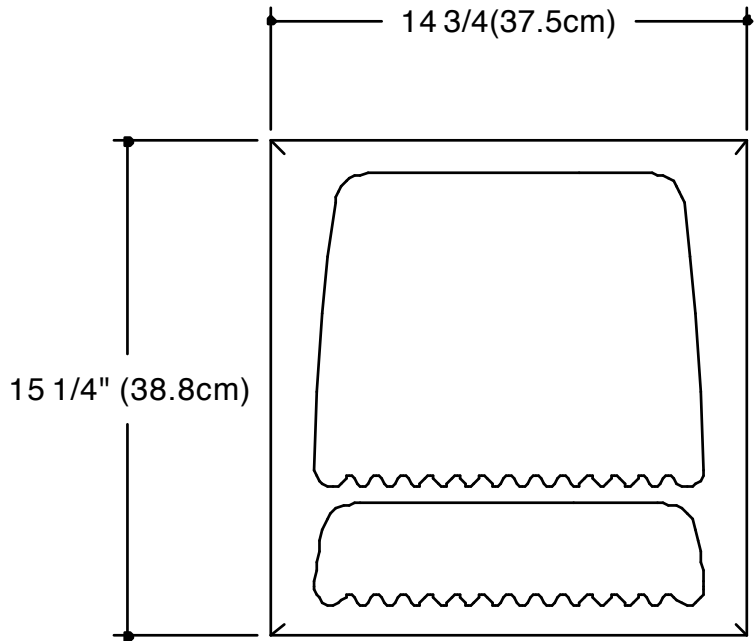
**Marble Works**

*Made for Life*

1601 North LaFox Street South Elgin, IL 60177 phone 847-742-9222 fax 847-931-0874 www.marble-works.com



Single Recessed  
Soap/Shampoo holder



Double Recessed  
Soap/Shampoo holder

**Sweetheart Soap/Shampoo holders**